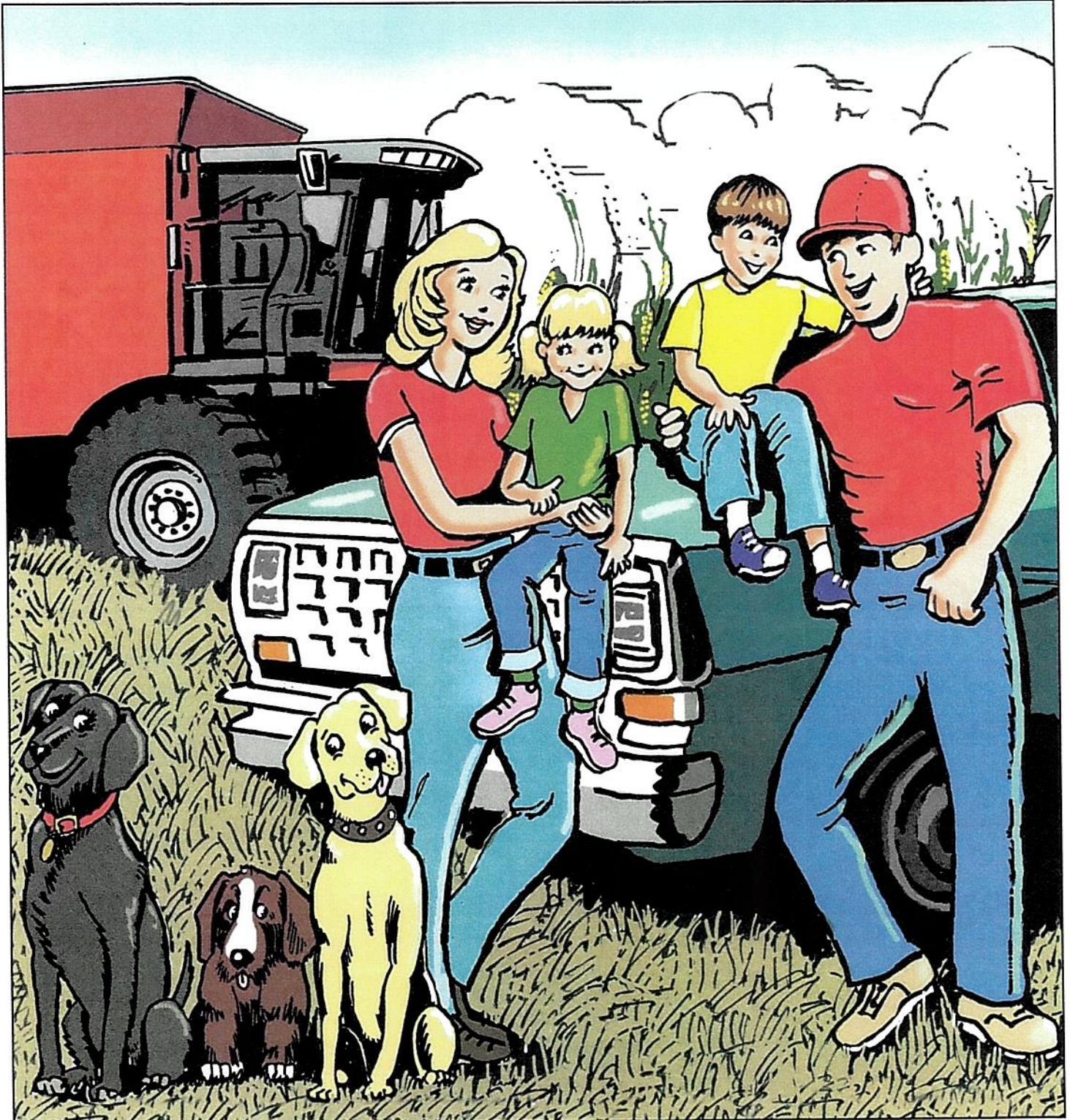


Fun On The Farm

ACTIVITY BOOK

Ages 3-7

Surprise Mom and Dad with all the things you know about running a farm.



**Can you color these important signs
from the farm?**

Use your favorite colors to make them easy to see.



Find the things that keep your farm running.

It takes some important people, animals and things to make a farm work. Do you know their names?

DIRECTIONS (Label): At the bottom of the page are the names of some important things on the farm. Find the correct word and write it next to the picture that matches it.



WORD BANK:

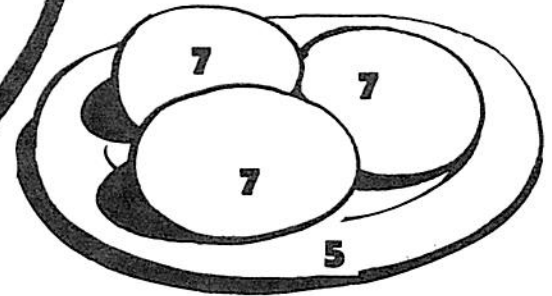
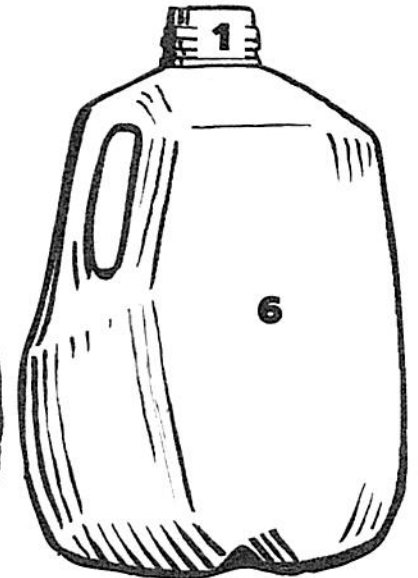
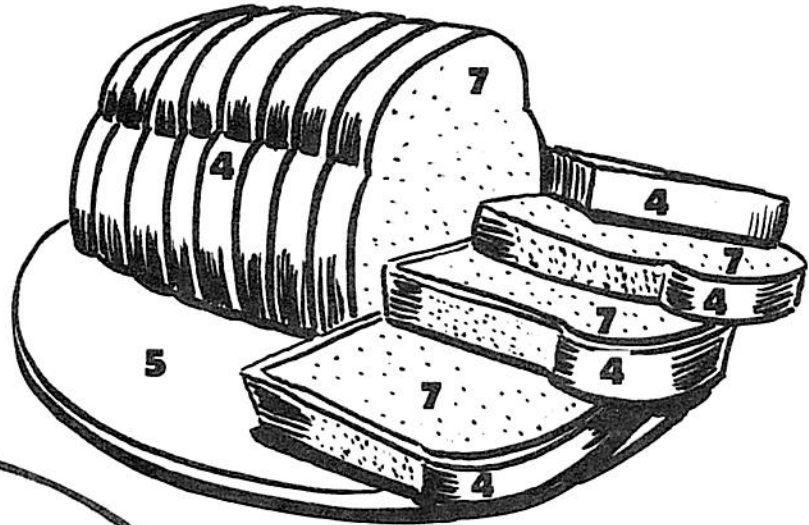
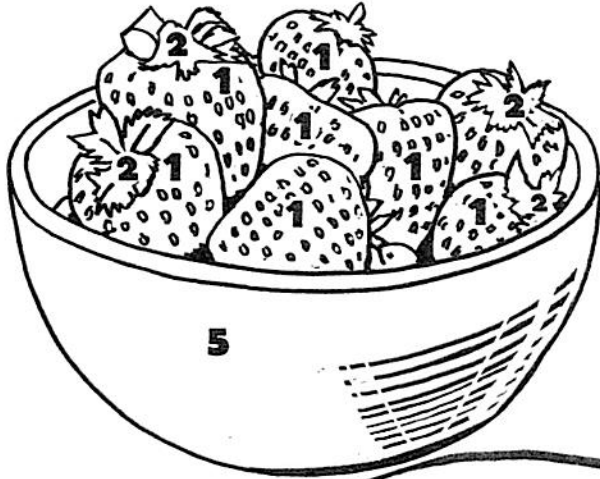
Father Mother Son Daughter Dogs Truck Combine Corn

Color the foods North American farmers grow to feed the world.

Did you know each North American farmer grows enough food to feed hundreds of people around the world? Use your colors to help us show everyone these important foods.

DIRECTIONS (Patchwork): Each food here has a number that shows you what color it is. Look at the bottom of the page to find the color that goes with each number then color the foods.

.....



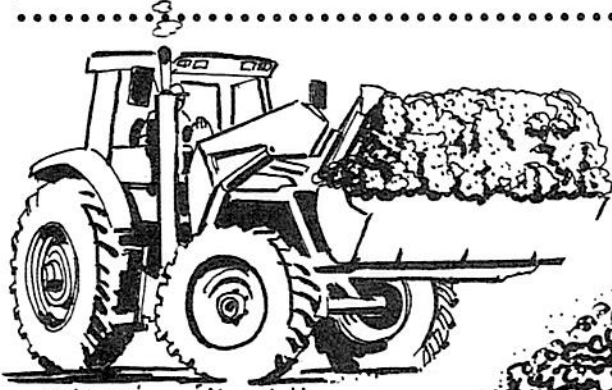
1 = Red 2 = Green 3 = Orange 4 = Brown 5 = Blue 6 = Yellow 7 = Tan

What jobs can tractors do?

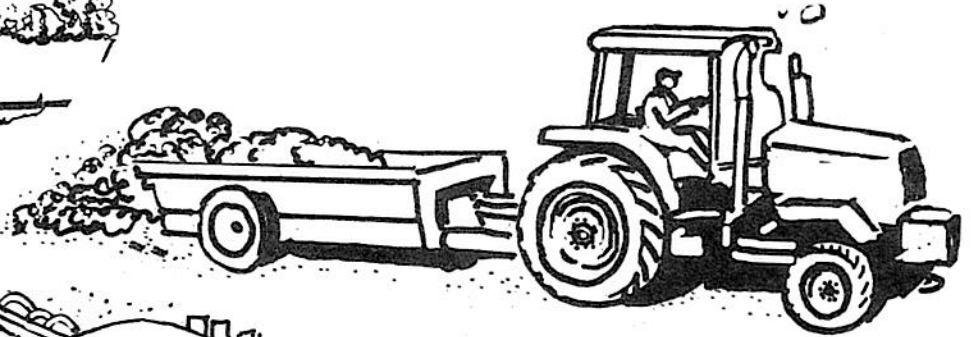
Tractors do many important jobs on the farm. Can you name all the jobs that the tractors are doing here?

DIRECTIONS: Color the tractors and implements shown below and draw a circle around the one that's your favorite.

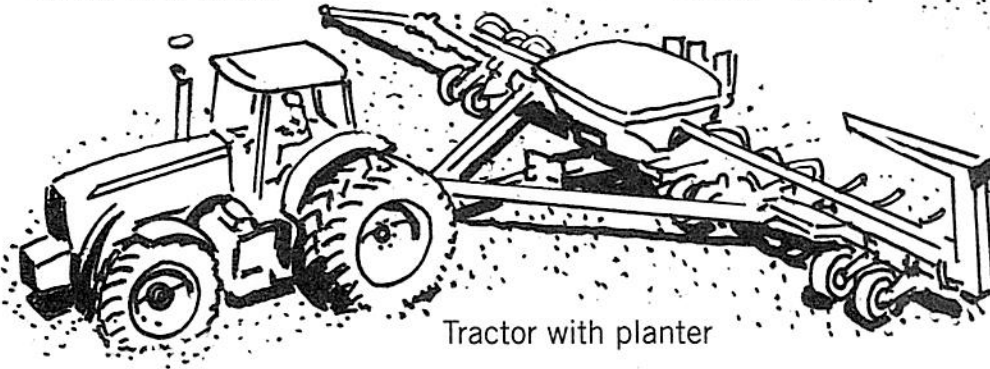
.....



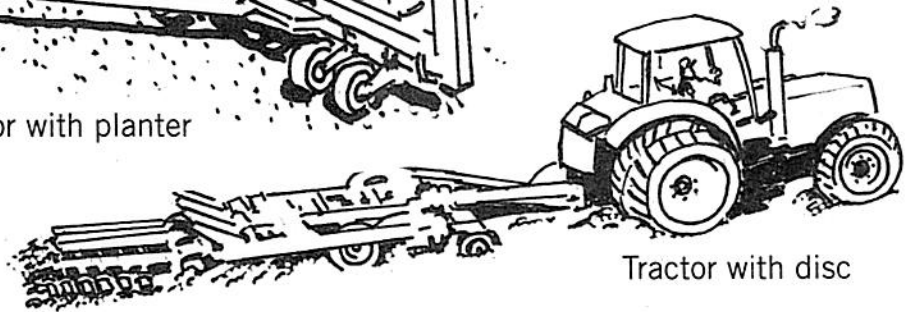
Tractor with loader



Tractor with spreader



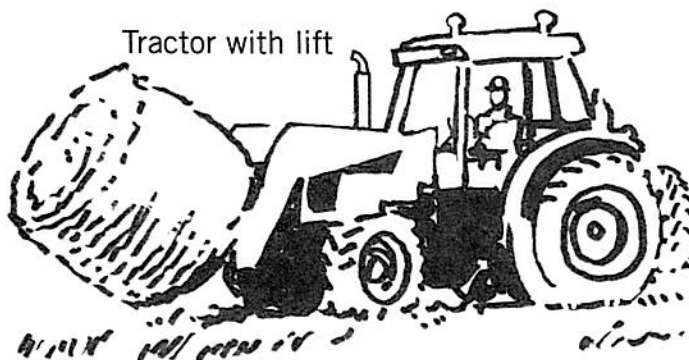
Tractor with planter



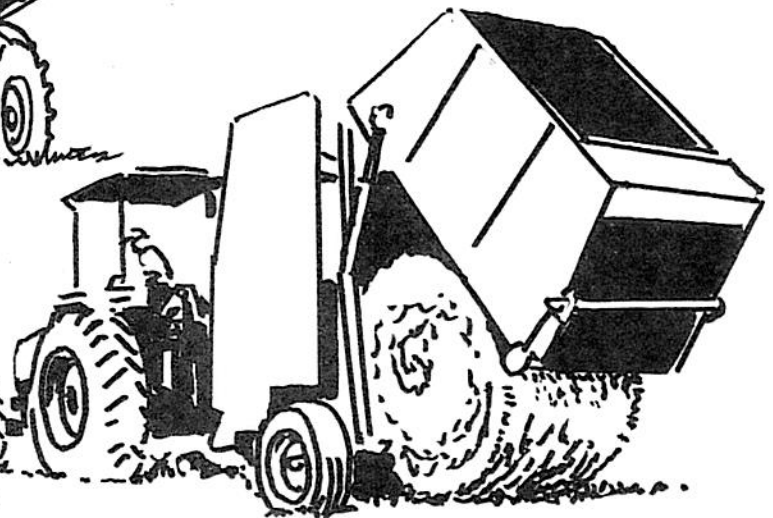
Tractor with disc



Tractor with grain cart



Tractor with lift

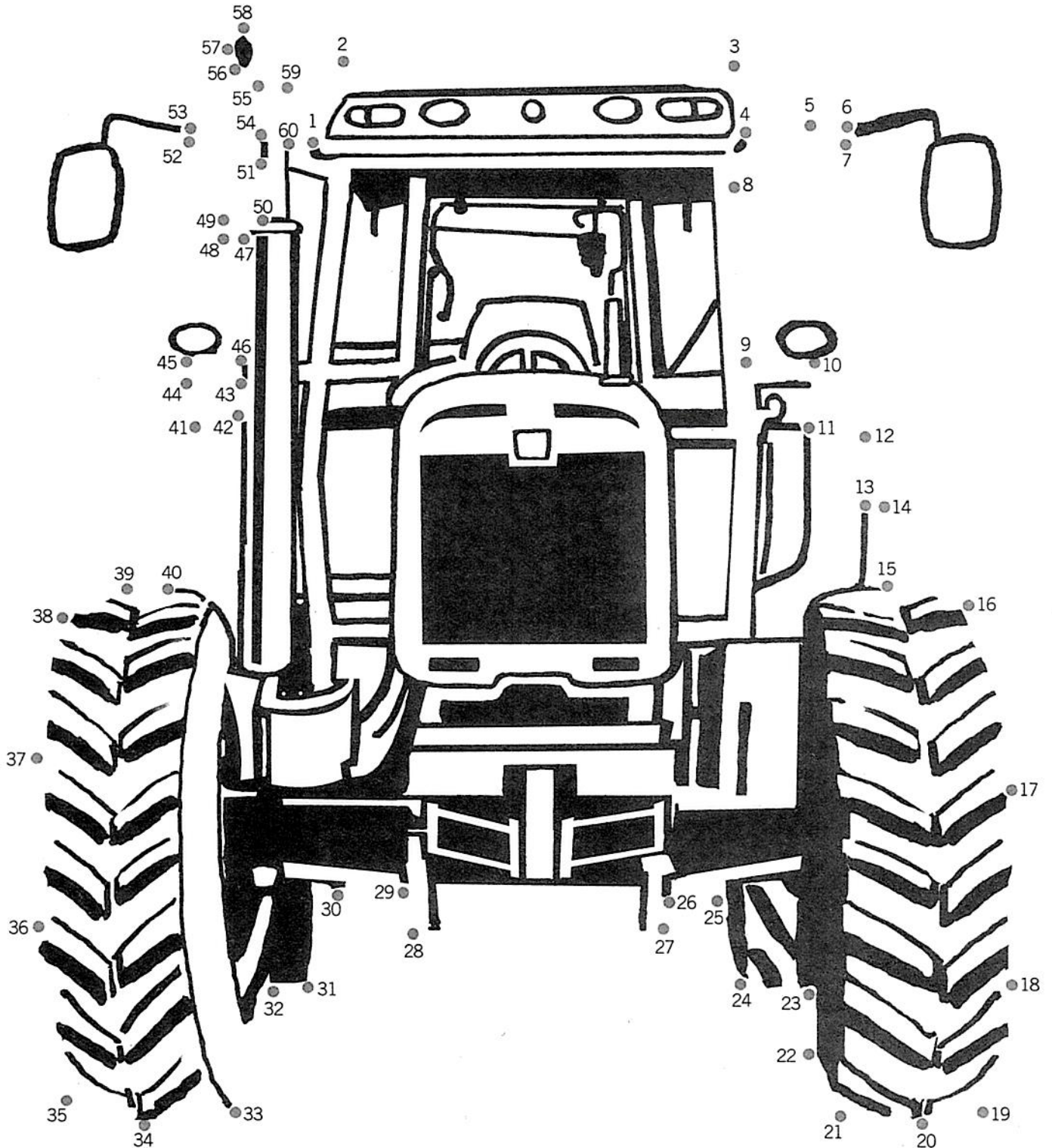


Tractor with baler

Can you guess what this is?

See if you can tell what this important farm tool is BEFORE you connect all the dots. Hint: It's bright red and has lots and lots of AGCO parts in it.

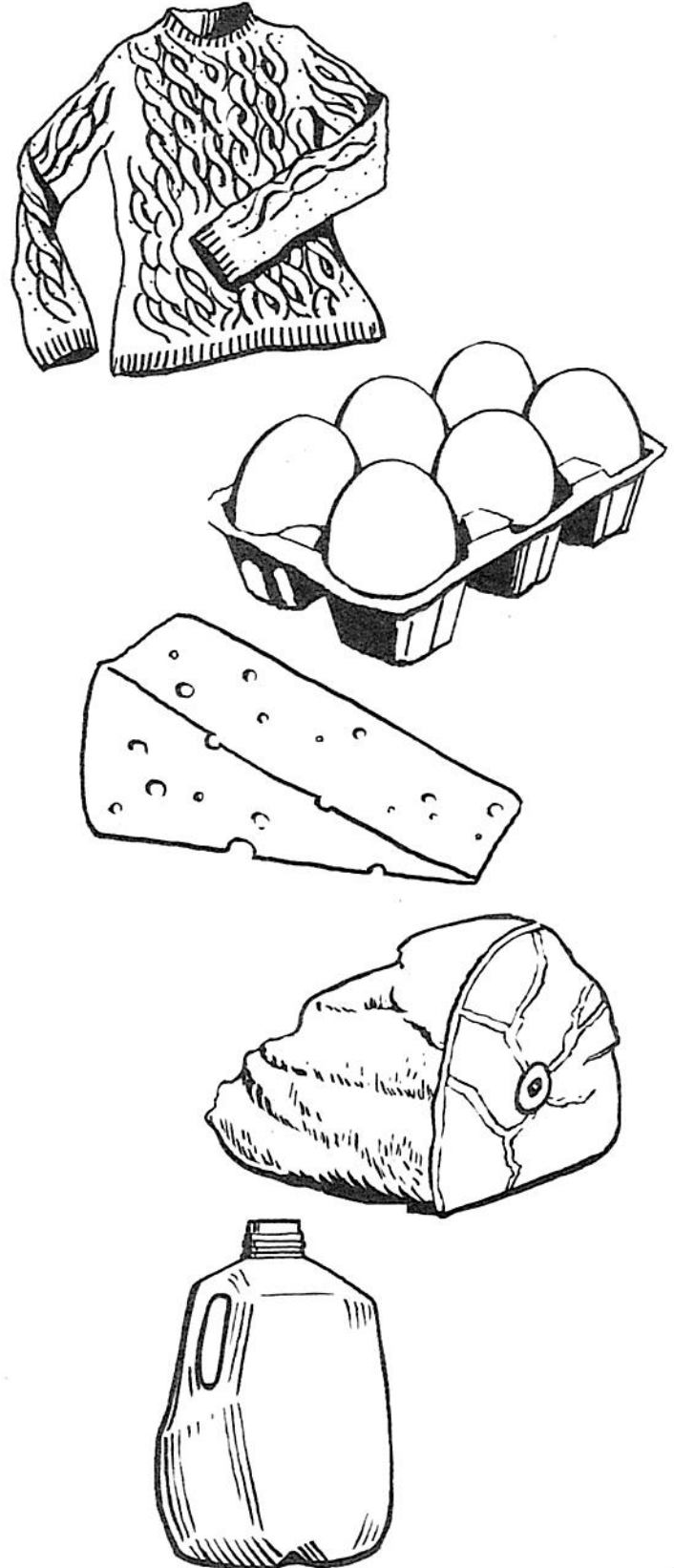
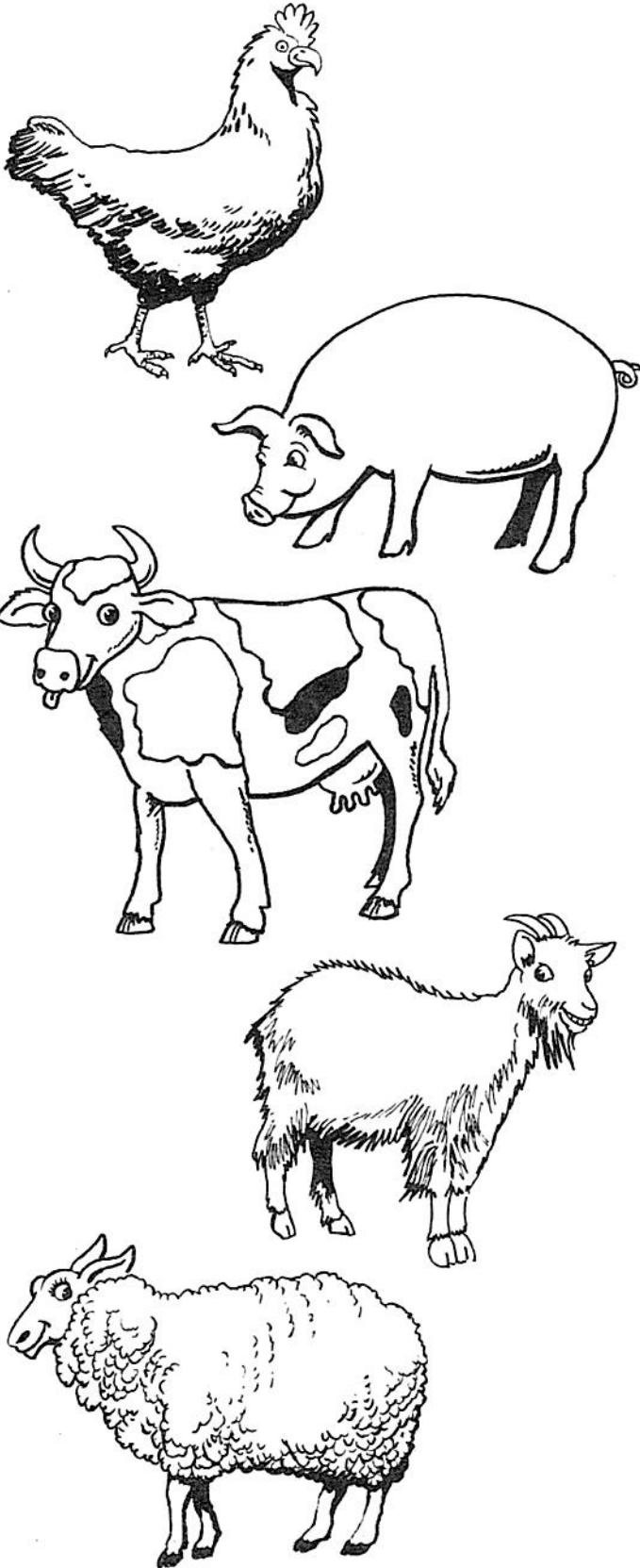
DIRECTIONS (Connect the dots): Connect the dots then color this drawing to reveal the hidden picture.



Show other kids where food and clothes come from.

Some kids think that things like ham and eggs come from the grocery store or from restaurants. Help them learn where their food and clothes REALLY come from.

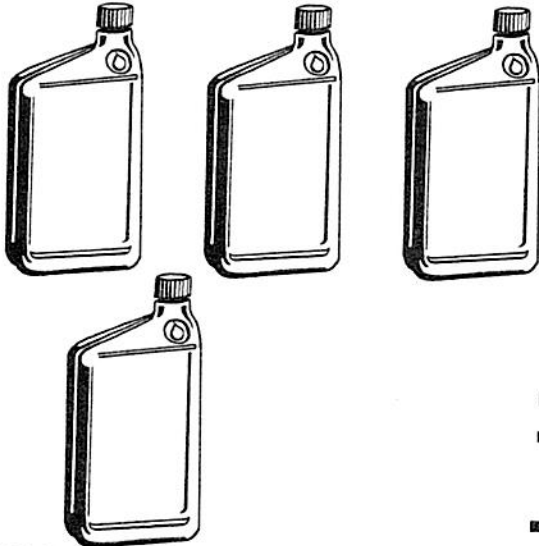
DIRECTIONS (Association): Draw a line between the food and clothing item and the farm animal that it comes from.

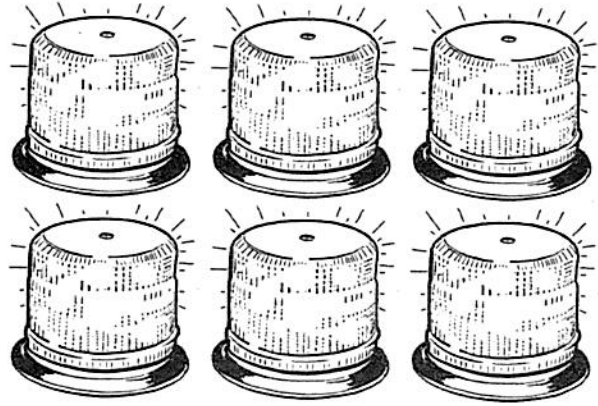


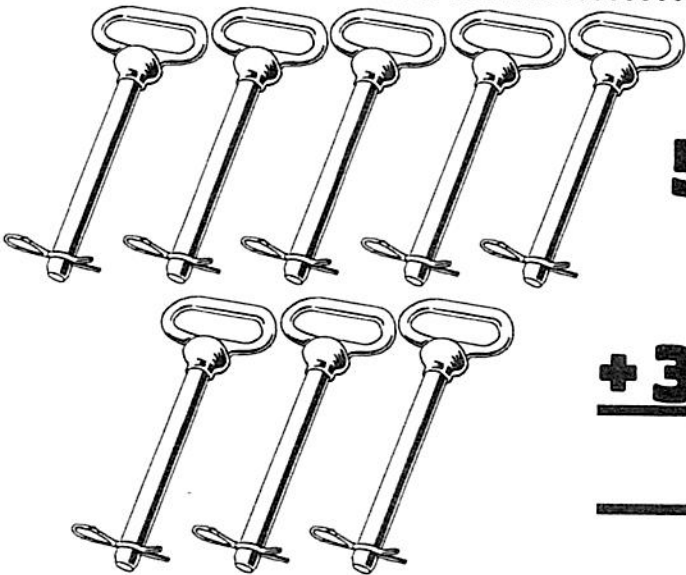
Help us count the parts.

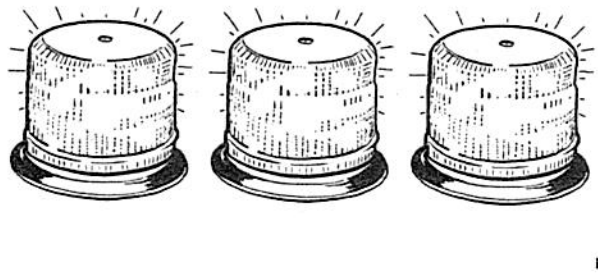
AGCO has many parts to keep tractors and other important farm machines running. Can you help us keep track of our parts by adding them up for us?

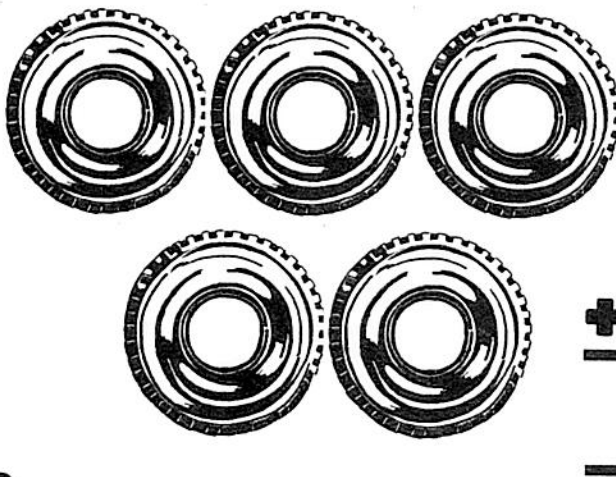
DIRECTIONS (Vertical math): Look at all the parts in each of the boxes below, then add them to tell us how many parts are in each box.

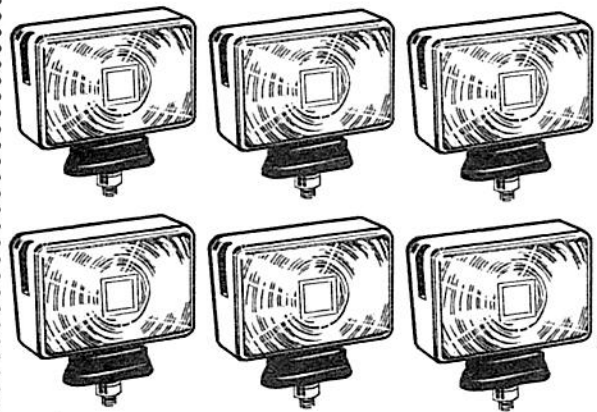


$$\begin{array}{r} 3 \\ +1 \\ \hline \end{array}$$


$$\begin{array}{r} 6 \\ \hline \end{array}$$


$$\begin{array}{r} 5 \\ +3 \\ \hline \end{array}$$


$$\begin{array}{r} 3 \\ \hline \end{array}$$


$$\begin{array}{r} 3 \\ +2 \\ \hline \end{array}$$


$$\begin{array}{r} 3 \\ +3 \\ \hline \end{array}$$

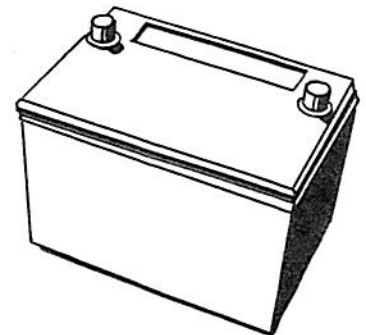
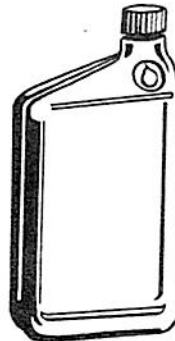
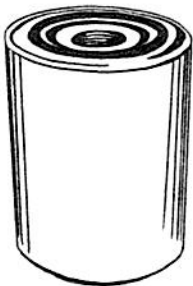
Find the hidden words.

AGCO has so many parts that sometimes we misplace a few of them. Look below to help us find the hidden names of important parts and tools that keep your farm running.

DIRECTIONS (Word search): Circle the parts words and other farm words hidden in this puzzle. Be sure to look across AND down. How many did you find?

.....

X	B	U	L	B	X	P	I	N	X
L	M	C	X	A	T	A	G	C	O
T	R	A	C	T	O	R	C	A	P
I	H	B	O	T	Y	T	H	A	Y
R	O	L	R	E	S	S	N	B	P
E	S	E	N	R	A	D	I	O	L
S	E	S	X	Y	X	O	I	L	U
G	R	E	A	S	E	H	A	T	G
C	H	A	I	N	W	H	E	E	L
B	I	T	X	F	I	L	T	E	R



WORD BANK:

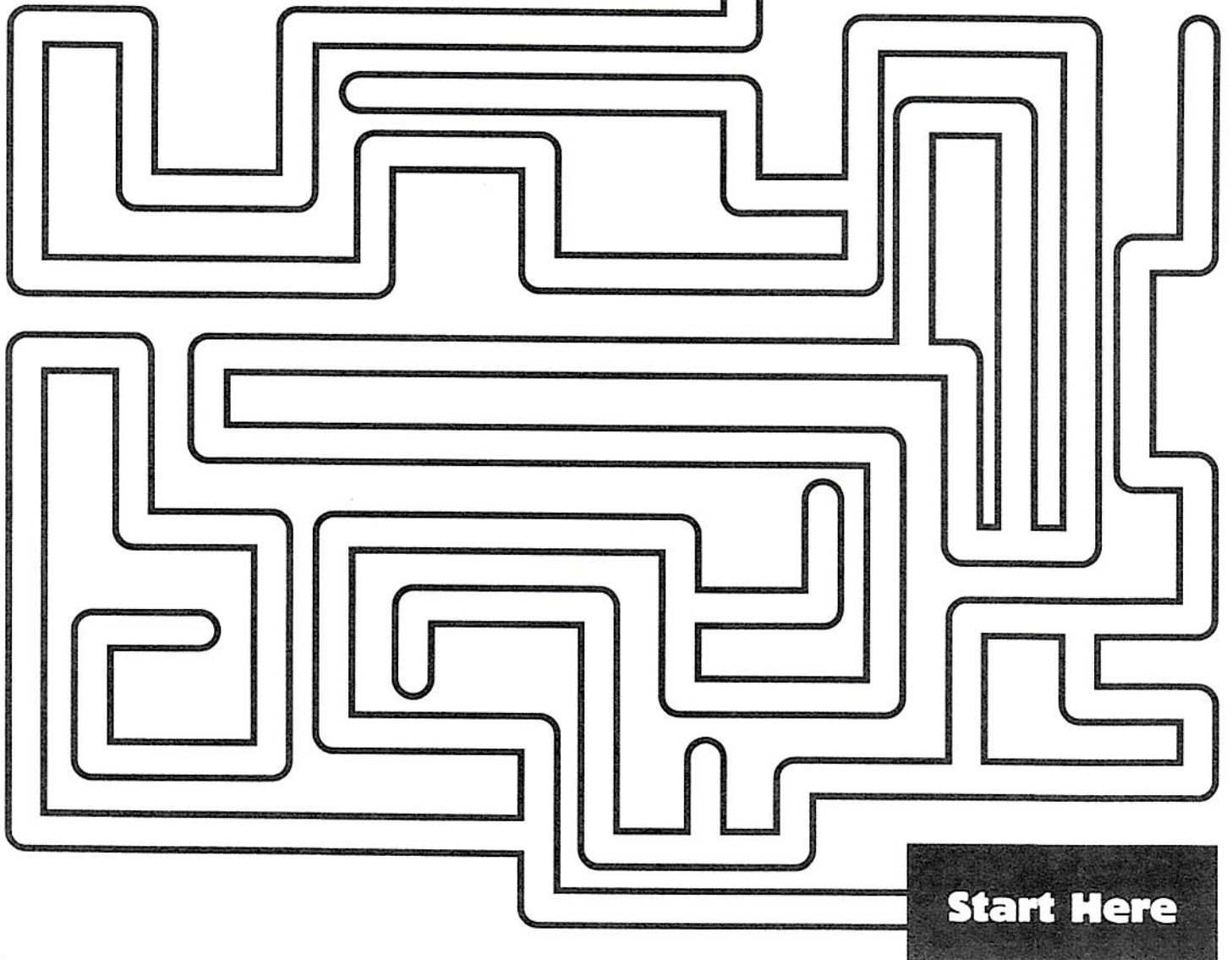
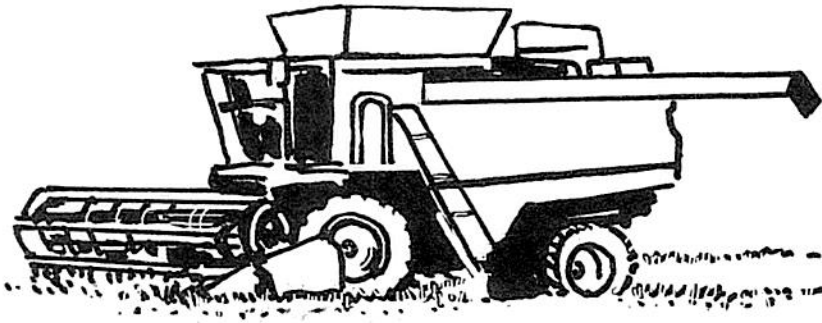
AGCO PARTS TRACTOR TIRES GREASE BATTERY BULB RADIO SEAT
BOLT PIN CABLE TOYS CHAIN FILTER HAY OIL WHEEL CORN HAT
PLUG CAP HOSE BIT

Help the farmer find his equipment.

Farmer Jones got so busy he forgot where he left his tractor AND his combine. It's time to get back in the field so can you help him find his equipment?

DIRECTIONS (Maze): Farmer Jones is in a hurry to get back in the field. Help him out by drawing a path for him to follow from **START** to his tractor and combine.

.....



Color the state or province your farm is in.

Did you know there are farmers throughout North America? They grow everything from pineapples to corn. They can pick up AGCO parts in every state and province to keep their farms running smoothly.

DIRECTIONS: Color the state or province where your farm is with AGCO red. Then use a blue crayon to color all the other states and provinces you've visited.

.....



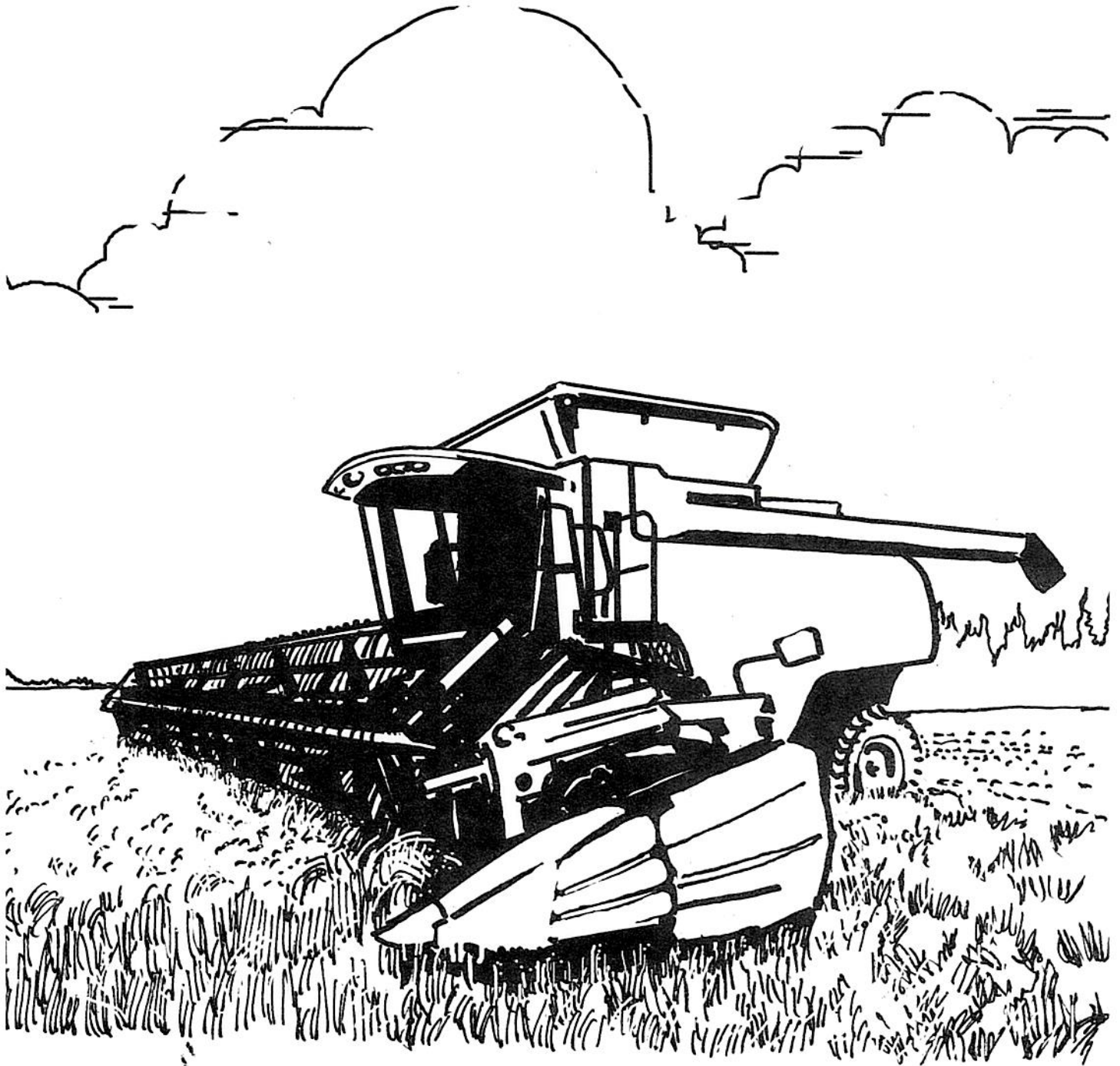
My state/province is _____ My town is _____.

Make this farm a beautiful place.

You're lucky you get to live in the beautiful countryside. Use your favorite crayons to color this picture and show the other kids how pretty it is on this farm.

DIRECTIONS: *The countryside is full of beautiful color—blue sky, golden wheat, a red combine. Use these and other colors to create a beautiful picture to share with everyone.*

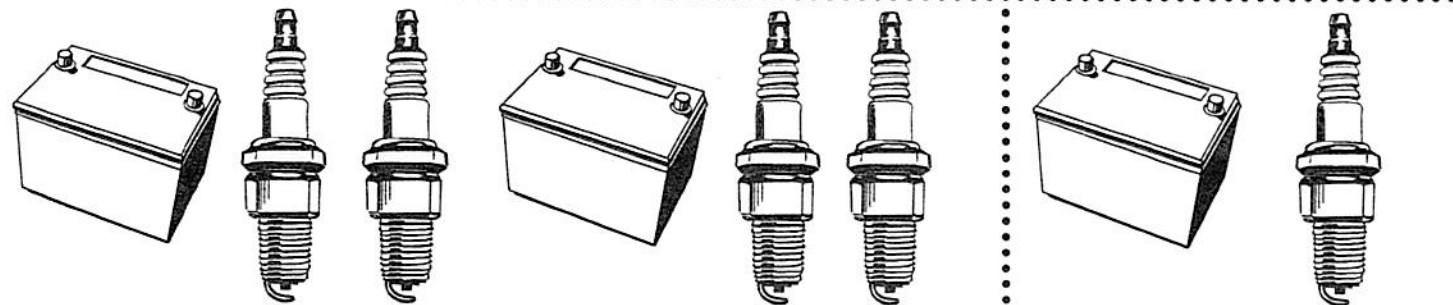
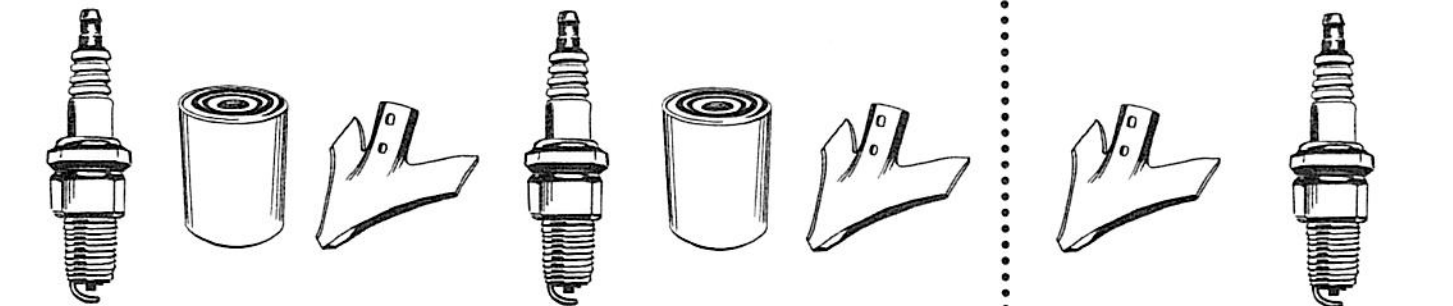
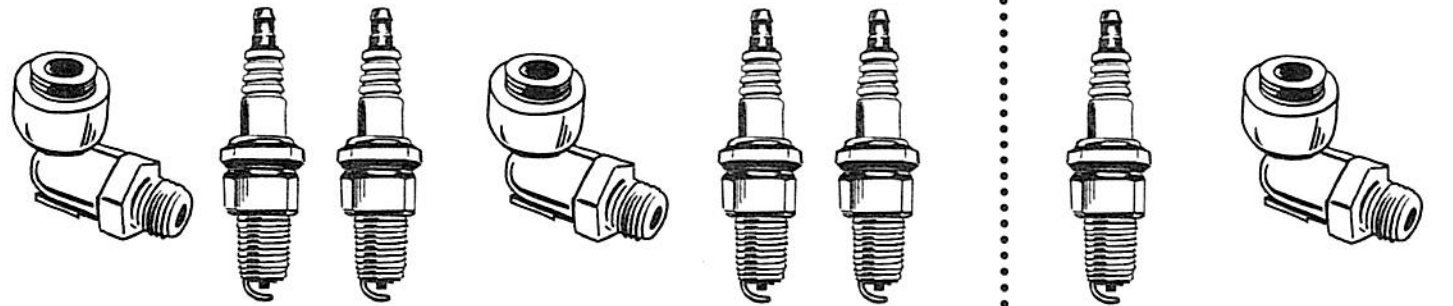
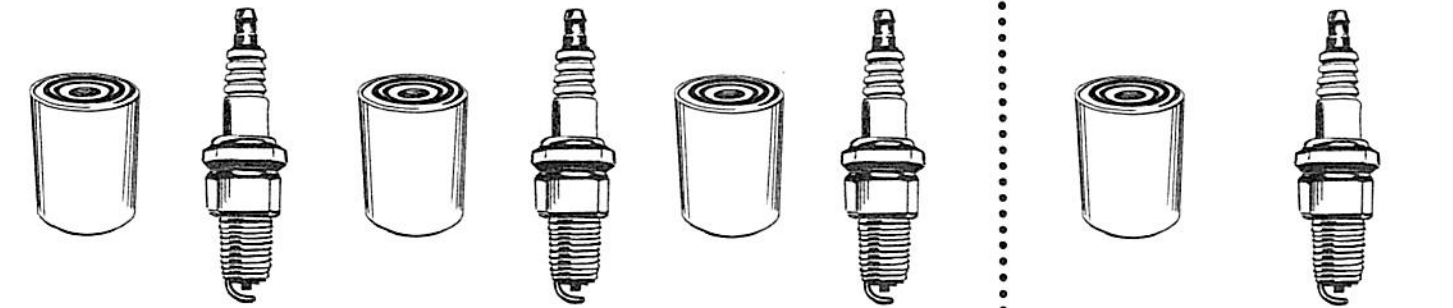
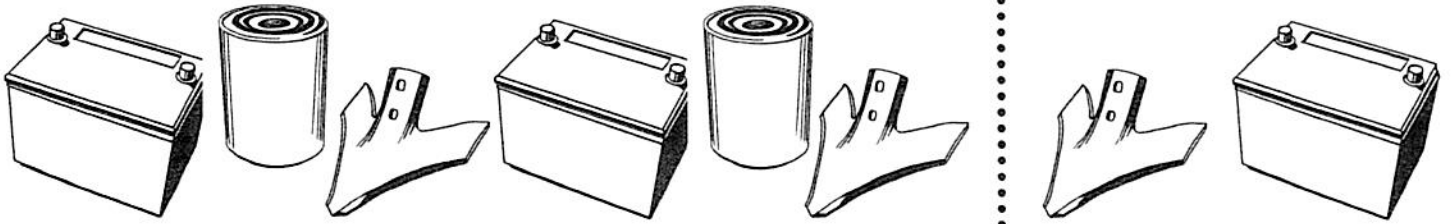
.....



What part comes next?

Farmers are really smart people. They're very good at spotting patterns and figuring out what comes next. Like if they see dark, low clouds, they know a thunderstorm may come next. Look at the parts below and see if you can tell what part comes next in the pattern.

DIRECTIONS (Patterns): Look at the series of parts below then circle the part in the box on the right that will be the next picture in the pattern.

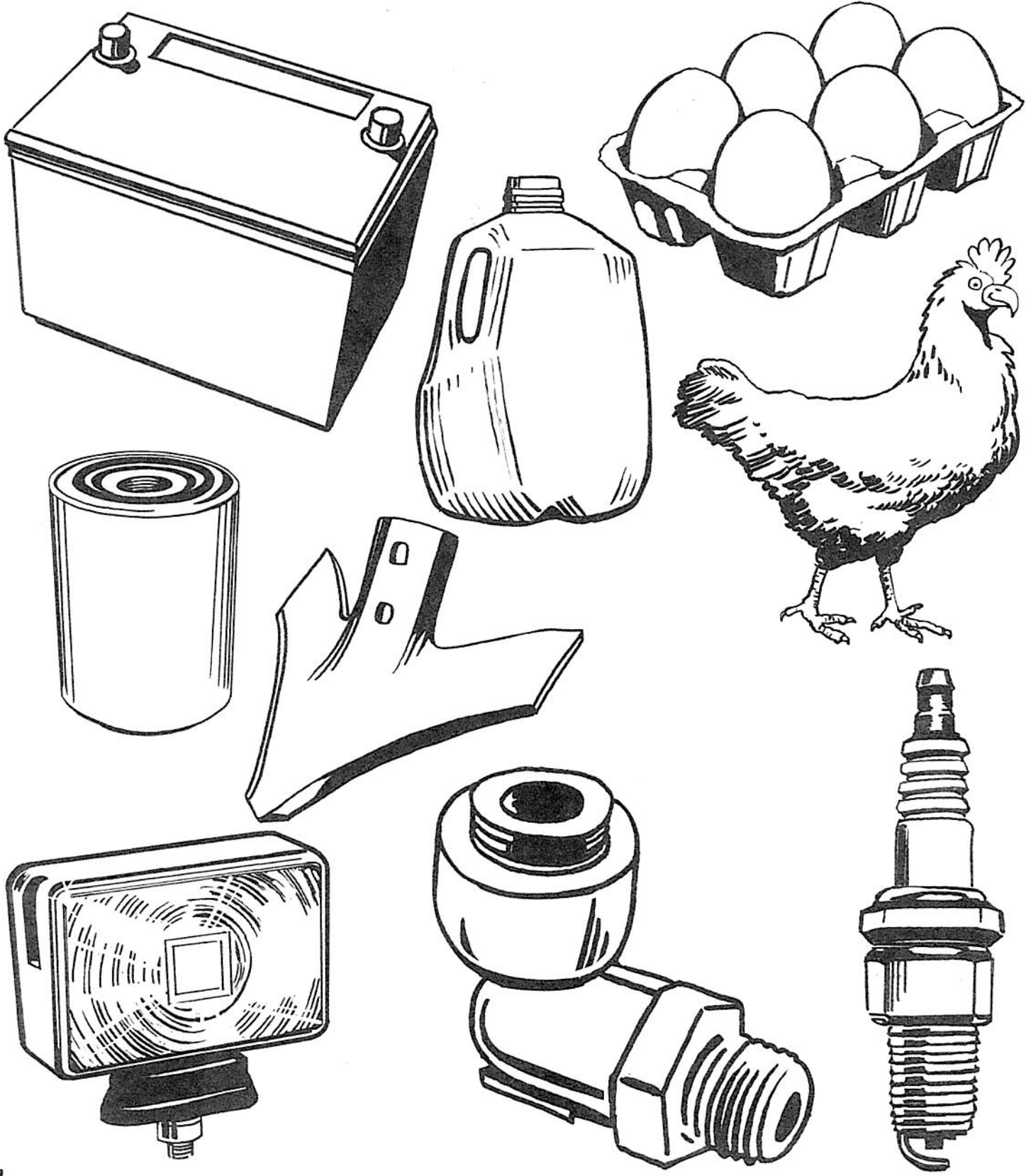


What can you buy at an AGCO parts store?

Farmers have to buy lots of things to keep their farms running smoothly. Some of those things can be found at an AGCO Parts dealership.

DIRECTIONS: Can you circle the things that farmers can buy at an AGCO Parts dealership?

.....

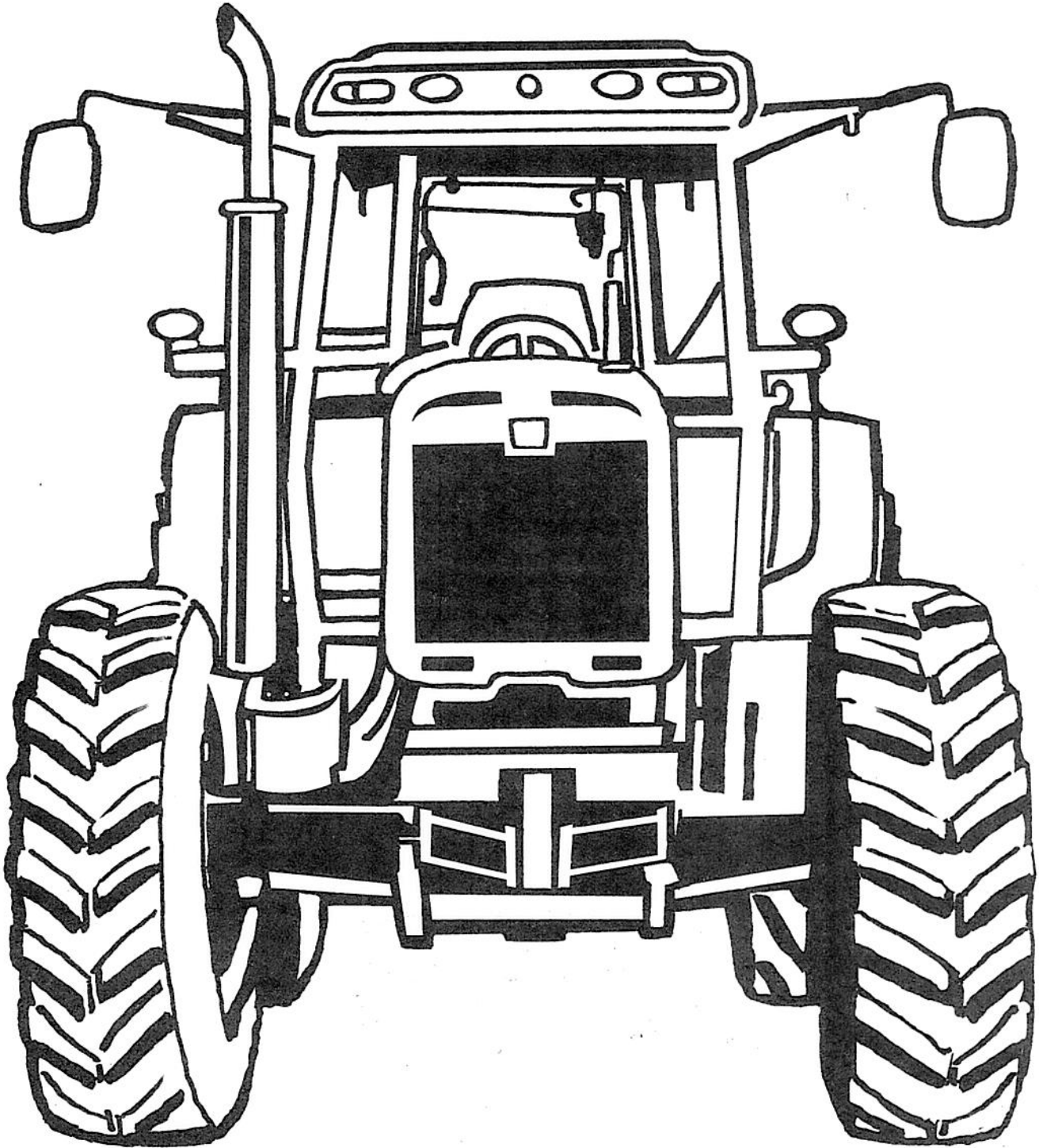


Where do the parts go on this tractor?

Every year, you get a little bit bigger and every year you can help Mom and Dad a little bit more on the farm. Someday they might need your help working on the tractor. Can you help by showing them where these parts belong on the tractor?

DIRECTIONS (Label): Cut out the labels and paste on the correct part of the picture.

.....



Exhaust Tire Side Mirror

This Activity Book belongs to:

Name _____

Street _____

City _____

State/Province _____ ZIP/Postal Code _____

Phone _____



Activity book provided by AGCO Parts Division, Batavia, Illinois
© 2010 AGCO Corporation www.agcocorp.com Printed in the USA 03/2010